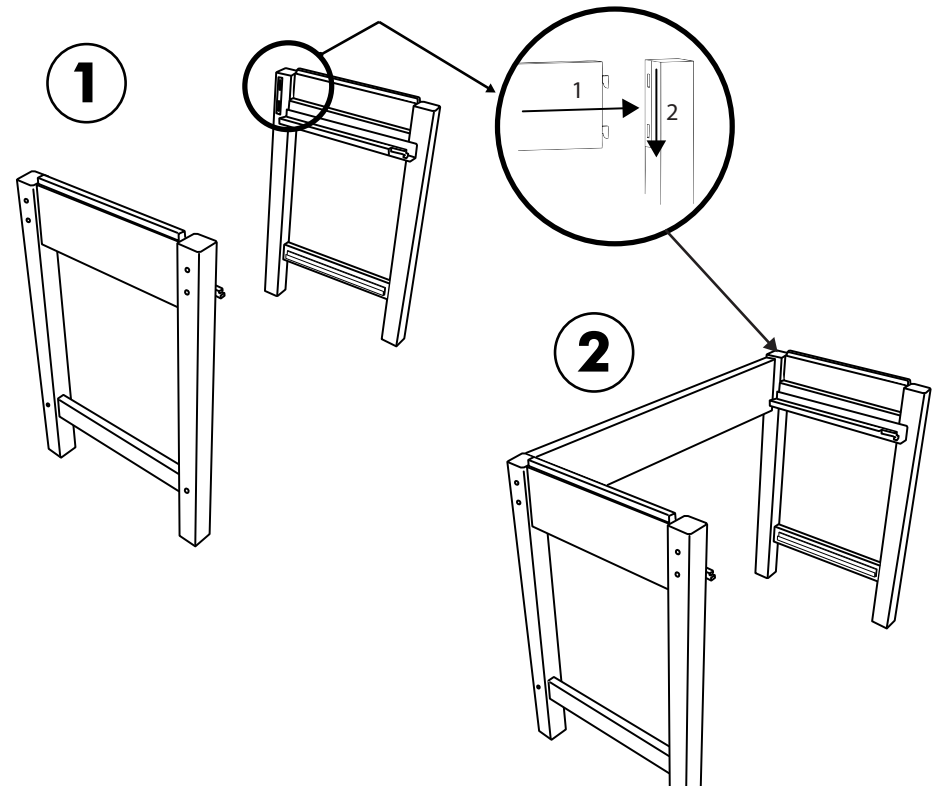
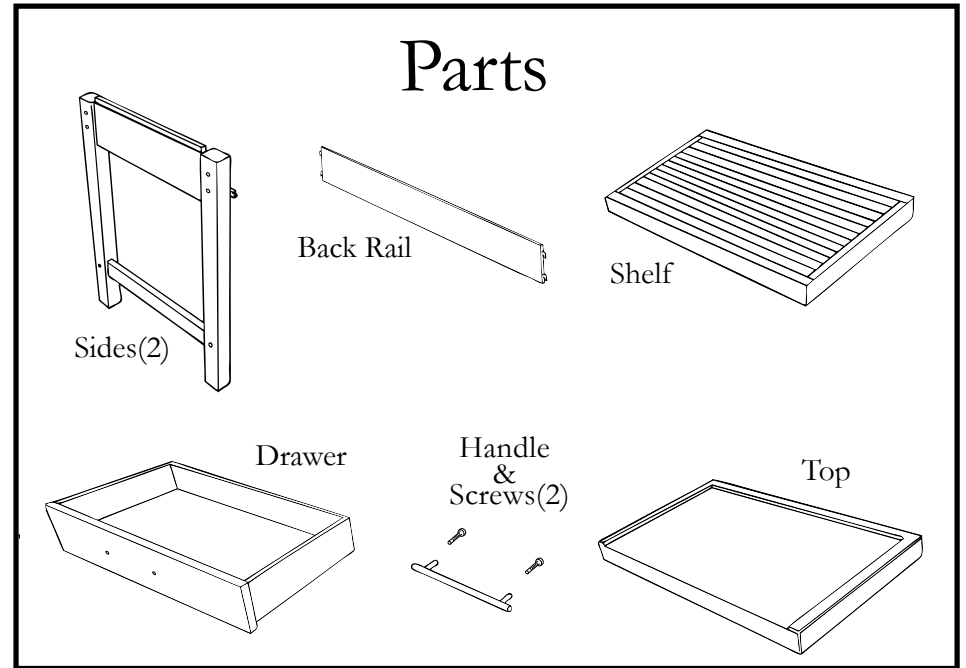
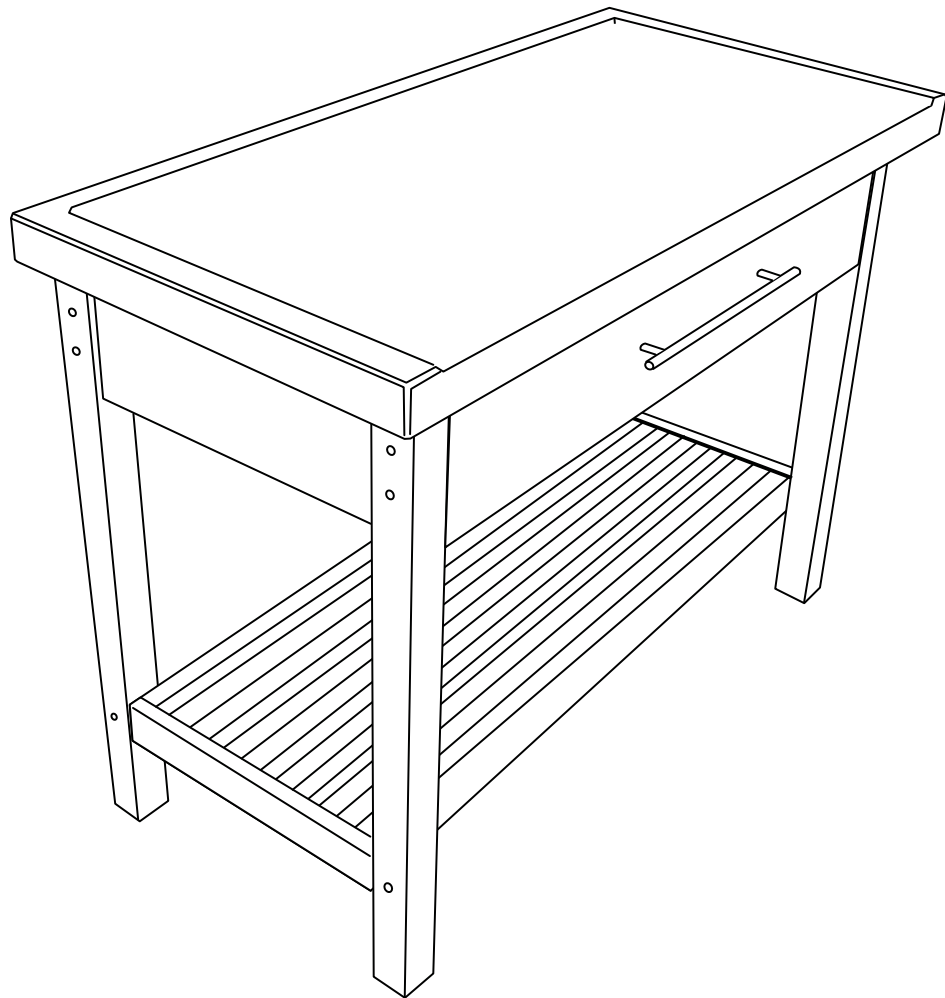
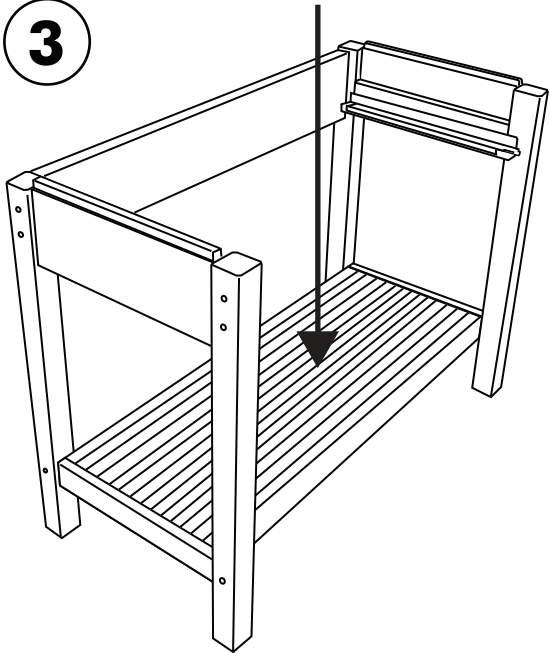


Kitchen Island Assembly Instructions

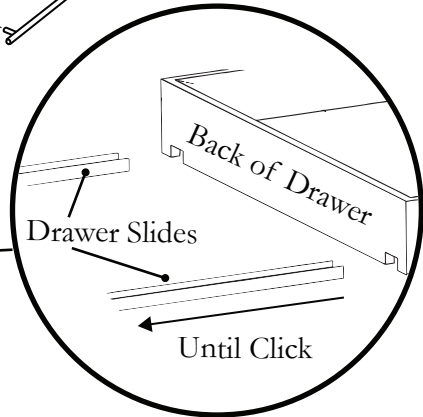
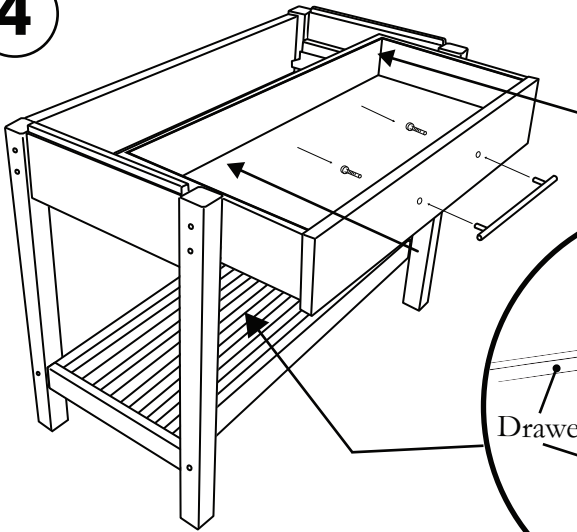
Model: KI-48 and KI-36



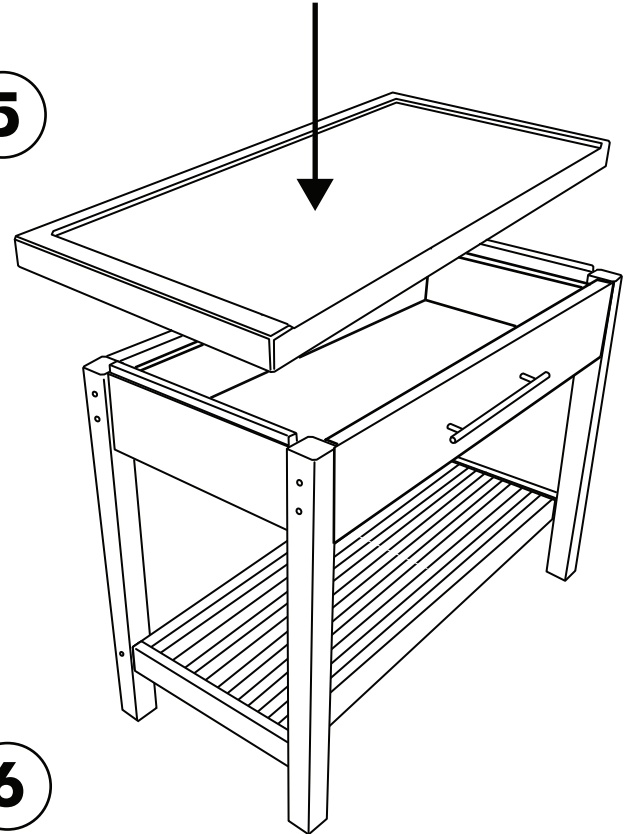
3



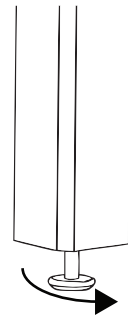
4



5



6



Turn foot to raise and lower



J.K. Adams Co.

P.O. Box 248
1430 Route 30
Dorset, Vermont 05251

P: (800)451-6118 F: (802)362-5472 E: info@jkadams.com
www.jkadams.com